

Age Range: 3 and up
 Weight Limit: 65 lbs.
 Surfaces: Grass/Asphalt/
 Other Hard Surfaces
 Speed: 3.5 For/Rev
 Colors: Purple Wheels/Pink
 Body/Periwinkle Seat
 Intro: 2009
 Suggested Retail: 169.99
 Box Dimensions:
 40.250 x 24.875 x 19.188
 51 lbs.
 Warranty One Year Vehicle
 6 Months Battery

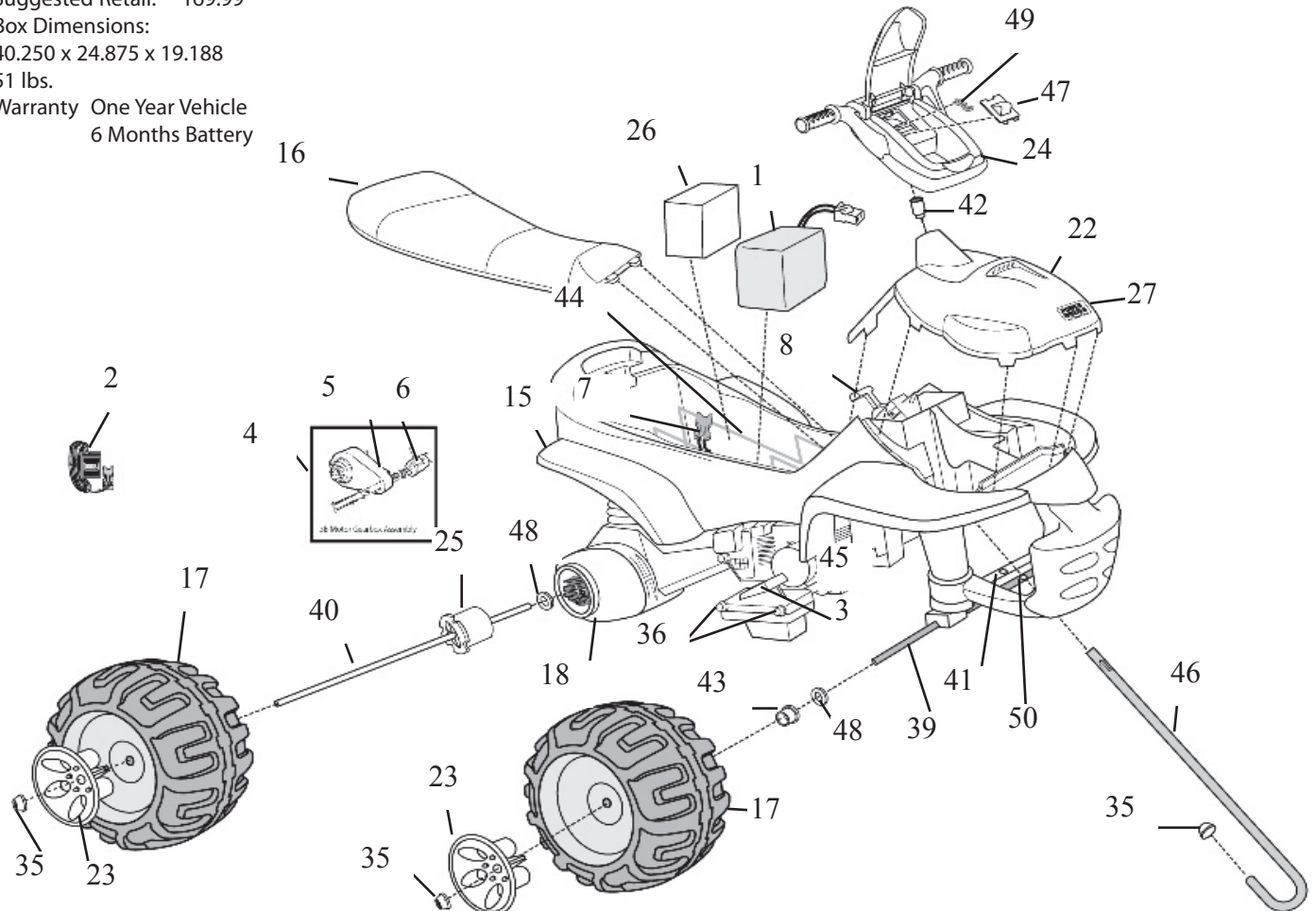


R1502

Princess Trail Rider- TRU

Preschool Series Super 6V

11/02/09



Item No.	Description	Part No.	Qty.	Item No.	Description	Part No.	Qty.	Item No.	Description	Part No.	Qty.
Working / Electrical Parts				Hardware / Metal Parts				Cap Nut Tool 00801-1567 1			
1.	Super 6V Battery	00801-0712	1	35.	.437 Cap Nut	00801-1621	5	6 x 3/4 Screw	0912-6004	20	
2.	Super 6V Charger	00801-1481	1	36.	.354 Cap Nut	0801-0604	6	8 x 3/4 Screw	0912-8001	12	
3.	Footboard Assembly	R1502-9169	1	39.	Front Axle	R1502-4509	1	False Motor Cover Left	R1502-2069	1	
4.	Motor Gearbox Assembly	74180-95192	1	40.	Rear Axle	R1502-4549	1	Motor Housing Top N/A	73690-2149	2	
5.	Gearbox W/out Motor	74550-9279	2	41.	Crossbar	73690-4649	1	Motor Housing Bottom N/A	73690-2159	2	
6.	Motor Pinion Assembly	74580-9539	2	42.	Steering Bushing	78476-2259	1	Shifter Assy. w/harness	B2008-9509	1	
7.	Main Harness Assembly	78476-9799	1	43.	Round Bushing	74550-2689	2	Brushguard	J7826-2079		
8.	Shifter Assembly	78457-9539	1	44.	Battery Retainer	74110-4429	1	Metal Neck	73690-4289		
Plastic / Other Parts				Parts Not Shown				Center Hub H4433-2429			
15.	Body	N/A	1	Large Parts Bag J7826-9259 1				Rear Boot Shock R1502-2089			
16.	Seat	R1502-2309	1	Hardware Bag J7826-9259 1				Left Hand Grip R1502-2229			
17.	Wheel	R1502-2469	4	Owners Manual R1502-0920 1				Upper Bushing 74110-2129			
18.	False Motor Cover Right	R1502-2059	1	Decal Sheet R1502-0310 1				Bottom Bushing 74110-2639			
22.	Cowling	3800-8943	1	Switch Control (Rocker) 00801-1756 1				8 x 3/4 screw (steering cap) 00801-1621 1			
23.	Hubcap	R1502-2579	4	Footswitch (Plunger Type) 00801-1566 1							
24.	Handlebar	J7826-9809	1	Adhesive Clip (harness) 0801-0313 1							
25.	Rear Wheel Driver	76960-2249	2								
26.	Foam Spacer	75560-0400	1								
27.	PW Emblem	00801-1503	1								

N/A = Not Available **Bold and Underlined Parts are to be purchased and installed by Service Centers only. These items may not be sold directly to consumers by Service Centers or Fisher-Price.**