

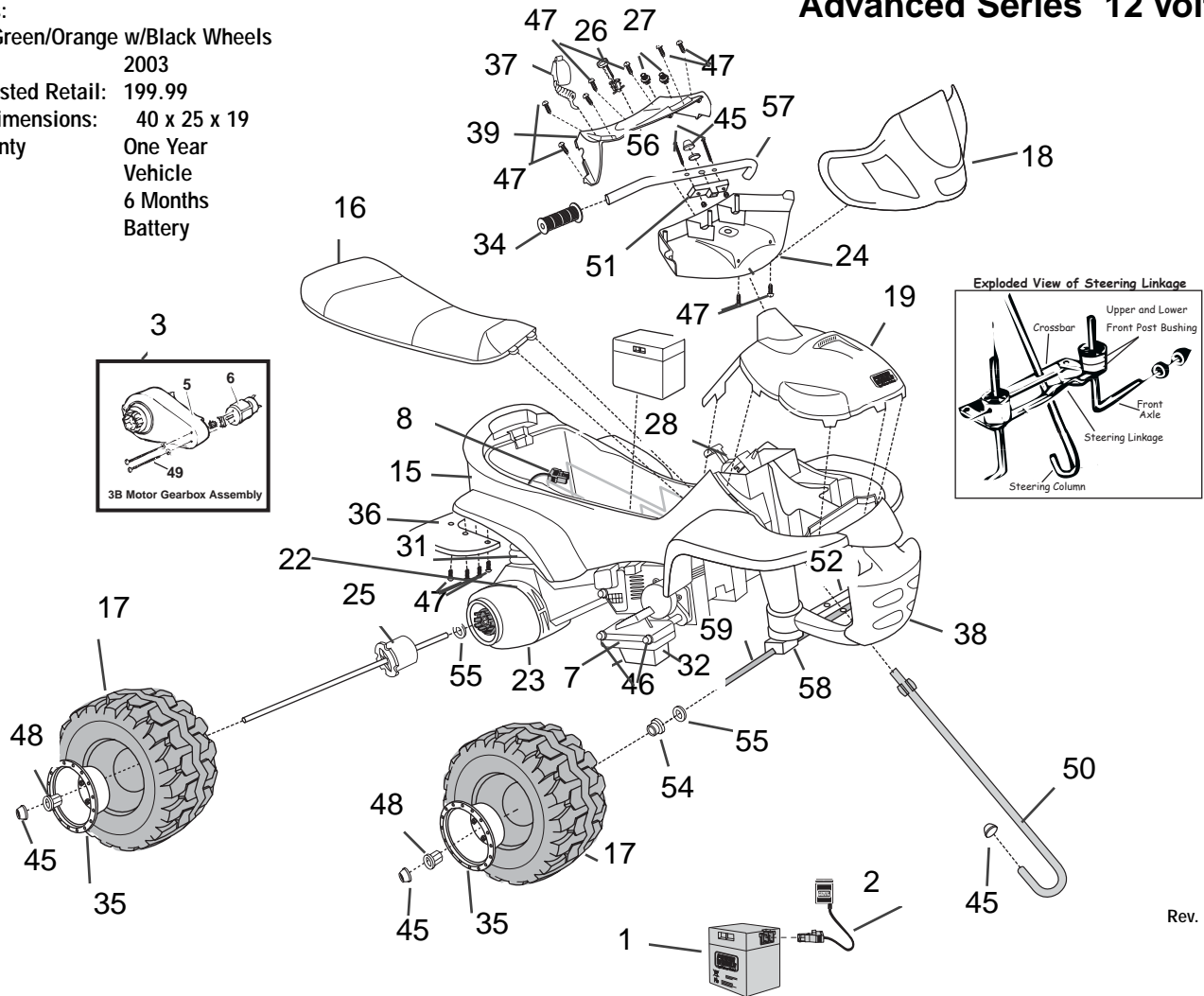
Age Range: 3 and up
 Weight Limit: 65 lbs Max
 Surfaces: Hard/Grass
 Speed: 2.5 MPH For/Rev
 5.0 MPH Forw

Colors: Blue/Green/Orange w/Black Wheels
 Intro: 2003
 Suggested Retail: 199.99
 Box Dimensions: 40 x 25 x 19
 Warranty: One Year Vehicle
 6 Months Battery



B8551 Max Steel Ninja

Advanced Series 12 Volt



Rev. 11/10/03

Item No.	Description	Part No.	Qty.	Item No.	Description	Part No.	Qty.	Item No.	Description	Part No.	Qty.
Working / Electrical Parts											
1.	12V Battery	00801-0638	1	28.	Shift Lever	74550-2229	1	57.	Handlebar	73690-4229	1
2.	12V Charger w/Probe	00801-0972	1	31.	Rear Shock N/A	B8551-2089	2	58.	Steering Linkage Assembly	74110-9239	1
3.	<u>Motor Gearbox Assembly</u>	<u>74110-9519</u>	2	32.	Lower Footboard N/A	B8551-2179	1	59.	Front Axles	74110-4509	2
5.	<u>Gearbox W/out Motor</u>	<u>74550-9279</u>	2	34.	Handgrip N/A	B8551-2229	2				
6.	<u>Motor Pinion Assembly N/A</u>	<u>74110-9539</u>	2	35.	Hubcap N/A	B8551-2579	4				
7.	Footboard Assembly N/A	B8551-9169	1	36.	Mud Flap N/A	B8551-9289	2				
8.	<u>Main Harness Assembly</u>	<u>74110-9799</u>	1	37.	Microphone Assembly N/A	B8551-9479	1				
Plastic / Other Parts											
15.	Body N/A	B8551-9209	1								
16.	Seat	73690-2309	1								
17.	Wheel	74110-2469	4								
18.	Fairing N/A	3800-7193	1								
19.	Cowling N/A	3800-7197	1								
22.	Motor Housing Top	73690-2149	2								
23.	Motor Housing Bottom	73690-2159	2								
24.	Dash Lower	73690-2769	1								
25.	Wheel Driver	74460-2249	2								
26.	Key /Housing Assembly N/A	74460-9369	1								
27.	Radio Knob (Black)	74510-2149	2								
Hardware / Metal Parts											
45.	.437 Cap Nut	0801-0227	8								
46.	.354 Cap Nut	0801-0604	2								
47.	#8 X 3/4" Screw	0912-8001	19								
48.	Hex Bushing	73233-2559	4								
50.	Steering Column	73690-4249	1								
51.	Metal Neck	73690-4289	1								
52.	Cross Bar	73690-4649	1								
53.	Upper Bushing	74110-2129	2								
54.	7/16 Round Bushing	74550-2689	2								
55.	7/16" Washer	0801-0196	6								
56.	#10 1 1/2" Screw N/A	76222-4459	2								
Parts Not Shown											
Large Parts Bag N/A										3800-7312	1
Hardware Bag										73690-9279	1
Owner's Manual N/A										B8551-0920	1
Decal Sheet N/A										B8551-0310	1
Adhesive Clip-Harness										0801-0313	
Footrest N/A										B8551-2189	1
<u>Motor Bolts N/A</u>											
False Motor Cover Right										73690-2059	1
False Motor Cover Left										73690-2069	1

N/A = Not Available

Bold and Underlined parts are to be purchased and installed by Service Centers only. These items may not be sold directly to consumers by Service Centers or Fisher-Price.